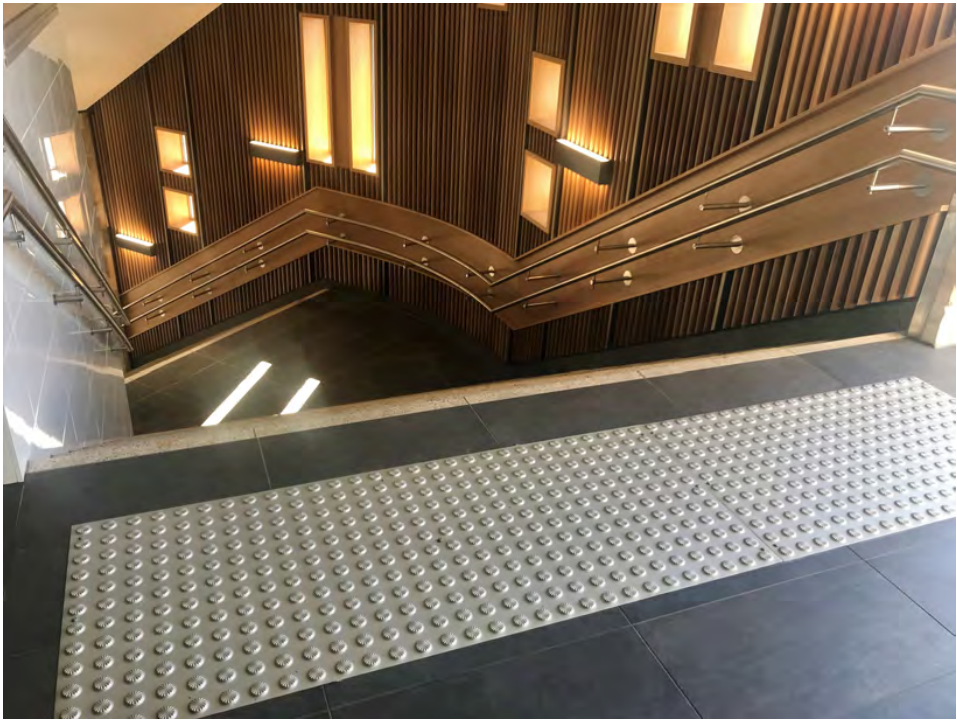




THE EDGE  
ON SAFETY



The Tactile Ground Surface Indicator solution that Tredsafe have been looking for...



# Alltac and Tredsafe Opportunity

Alltac is Australia's largest manufacturer and distributor of a diverse range of tactile ground surface indicators. Started in 2008, ALLTAC had expertise in building and construction and in particular – flooring with a safety and anti-slip focus. In 2009, ALLTAC stepped away from the broadness of safety and focused solely on visual guidance systems and disability access.

Alltac is Australia's fastest growing, most successful innovator and producer of Tactile Ground Surface Indicators (TGSIs). A 100% Australian and family owned company with a long term commitment to ensure that Australia develops a centre of excellence for tactile design. Since its establishment as a family business, the company has maintained a steady annual growth rate, proving itself to be a dynamic and major force in the Australasian tactile industry.

For a long time, Tredsafe has seen the opportunity that exists in the TGSi product category, given the synergy of the two product categories as when one is installed, generally the other will be as well. After reviewing a marketplace filled with so many cheap tactile alternatives, Tredsafe wanted to find a solution that had a point of difference and stood out from competitor products. With Alltac as a potential partner, an Australian based company that shares similar values and is 100% family owned and operated, Tredsafe may have solved that product gap in our accessory product range. The pillars below reflect the similarities between the two businesses and shared values of focusing on People, Products and Performance.

## Alltac Four Pillars

1. Customer Focus
2. Quality Assurance
3. Service
4. Product Innovation and Development



## Tredsafe's Four Pillars

1. Promise - Tredsafe's commitment to its customers.
2. Delivery - behaviour and trustworthiness being progressive, caring, professional and conscientious.
3. Definitions - why Tredsafe exists? We pursue excellence to make the world a safer place.
4. Customization - the versatility and choice we offer is a great fit with the Sirius Plates variety of finishes and sizing.

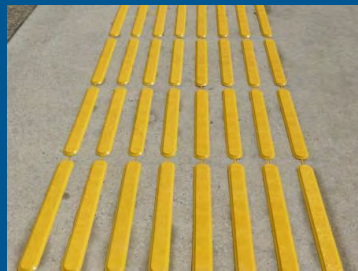


# Tactile Ground Surface Indicators

## What are TGSi and where are they required?

TGSi are truncated cones on the ground or floor surface designed to alert people who are blind or have low vision, to pending obstacles or hazards on the continuous accessible path that could not reasonably be expected or anticipated using other tactile and environmental cues. They are also a useful clue to sighted pedestrians. The tactiles comply with the building code clause D1 Access Routes which ensures the safety of entry/exit to the building and the safety of any internal or external stairs. It ensures people can move safely into, within and out of buildings. Access routes include the approach to the main entrance of a building, corridors, doors, stairs, ramps and lifts. D1 sets out requirements for: slip resistance, stair treads, handrails; people with disabilities to carry out normal functions within buildings; and the movement, loading and parking of vehicles.

*Directional Bars*



*Tactile Plates*

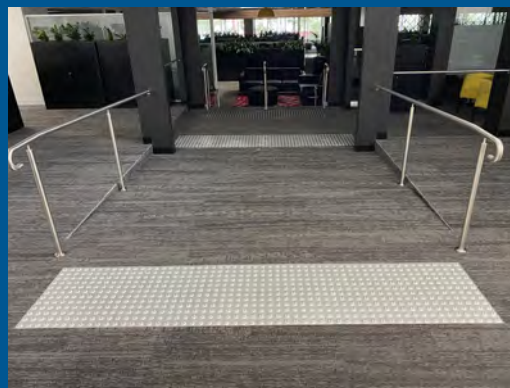


- TGSi are required in both the internal and external built environments, potentially hazardous situations such as stair entry/exit/landings, ramps, kerb ramps and level transitions between pedestrian access ways and vehicle carriageways.
- They are required to also provide a visual contrast to the existing substrate to warn of any potential hazards
- Tactile ground surface indicators come in a range of types, colours, sizes and materials. With the Alltac Sirius Plates and other complimentary products, Tredsafe have simplified the offering of TGSi.

TGSi can be found in places such as the examples below:



*Pedestrian Crossing*



*Stair and Ramp Entranceways*



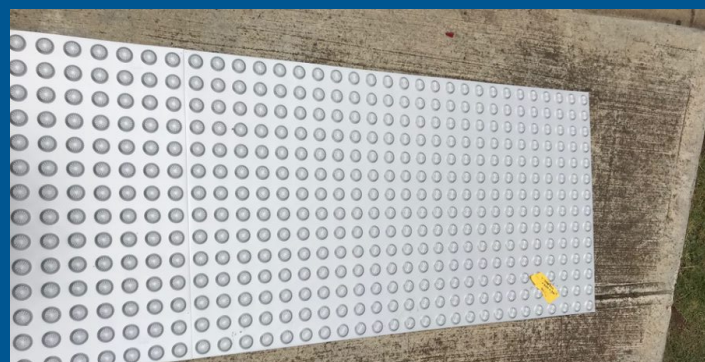
*Tram and Railway Stations*

# Sirius Plates

Alltac Sirius Plates are a unique and different product offering to individual tactile indicators. ALLTAC Sirius TGSI's are quick and easy to install in comparison to single studs or tiles as less adhesive is required and there are fewer holes to drill.

The main point of difference to individual tactiles is that when individual tactile dots and tiles are dislodged and/or broken, Alltac Sirius plates are designed to install over the damaged area. There is no need to remove and spend time repairing the substrate as the plates are designed to just install over the top of existing damaged areas. The Sirius plates allow for 360 degrees slip resistance properties, reducing the chances of slips and falls in transitional areas.

Damaged Existing Ceramic TGSI



After using Alltac Sirius Plate

# Sirius Plates

These one-piece plates feature a revolutionary patented 'Allstar' stud design and are punched into the aluminium plate rather than being glued, creating a long lasting, dependable solution. The design of the stud itself allows for dirt to be easily cleaned to ensure a consistent slip rating of R12 and P5.



*Close up of TGSi used on Sirius Plates*

A TGSi head design exclusive to Alltac, has the following features:

- 360 degree Slip Resistance
- Self-cleaning Properties
- Edge Durability
- 1mm Wear Layer
- Climate Suitability
- Stainless cast (Not Welded)
- R12 Slip Rating
- 16 Point Design
- World First Patented Design
- Continuity of Design
- CSIRO CTAC Certified
- Unique and Identifiable

Made in Australia, Sirius plates are an easy and fast alternative to individual tactiles and are not susceptible to tactiles being removed over time or cracking.

# Sirius Plate Benefits

**Range:** Sirius

**Profile:** Allstar

**Materials:** Aluminium 5005/Marine Grade

**Sizes:** Stocking range to be confirmed. Options to range from 300mm x 300mm to 1500 x 2400mm.

**Colours:** Platinum, Black, Silver and Yellow

**Slip Testing:** AS/NZS 4586.2013 Appendix A, BPN Slip Resistance Value Compliance: AS/NZS 1428.4.1

## Features

- 20 year **guarantee**
- **Custom** sizing and colours available in addition to the three colours stocked by Tredsafe
- **Compliant** in Australia and New Zealand (see page 8 for more information)
- **Recyclable** – old or damaged Sirius Plates are fully recyclable as the materials used (aluminium, steel or brass) are recyclable.
- Highest possible **slip rating** – as per the Pedestrian Planning and Design Guide – P5 and R12, 2 different but similar ratings. AS/NZS 4586:2013 Appendix A BPN Slip Resistance Value.
- Easy one sheet install vs. individual tactiles. One piece (zero dislodgement) installation involves significantly less time and effort in comparison to installing individual tactile studs.



Individual Tactiles

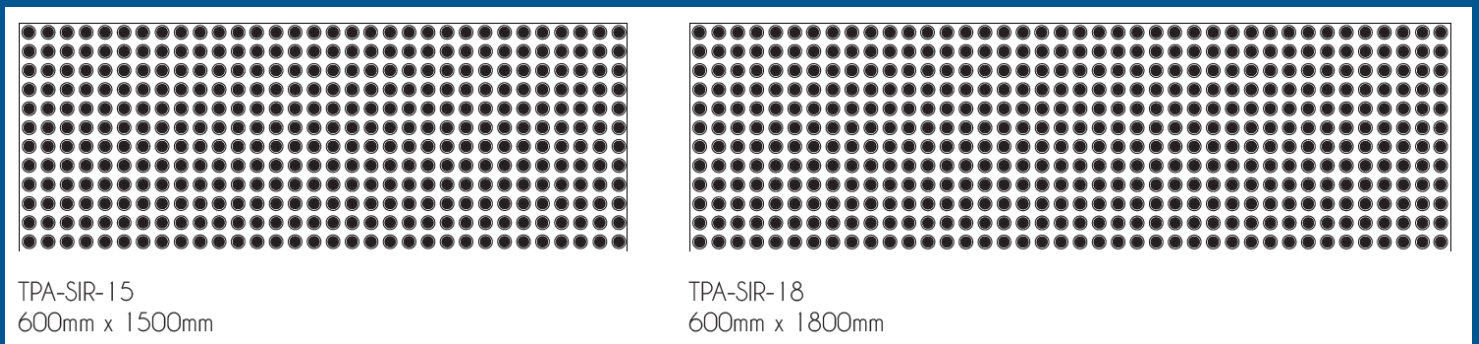
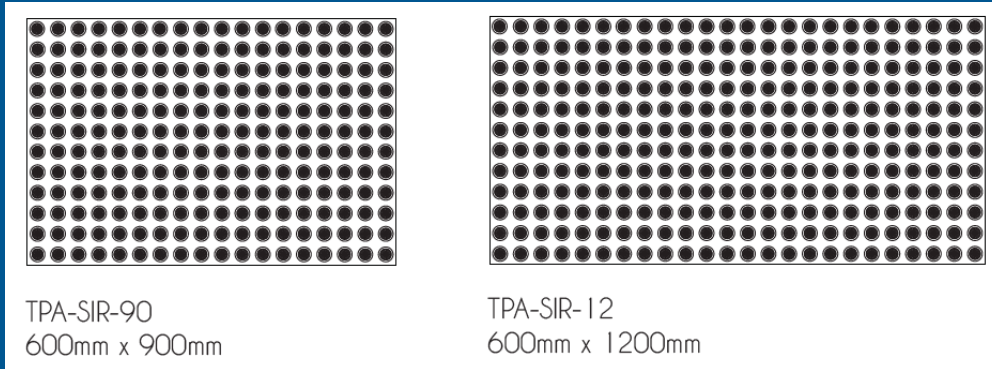
vs.



Sirius Plates

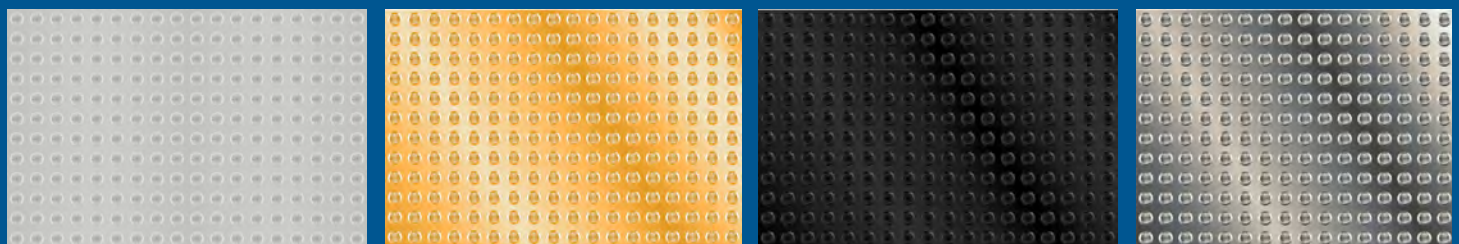
# Sizing and Measurements

Sirius Tactile Plates are available in a range of sizes as shown below:



\*Custom sizing available on request to a maximum of 1500mm x 2400mm.

## Finish



Platinum

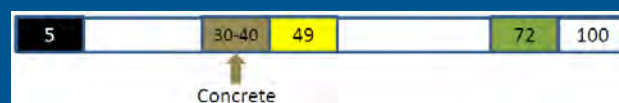
Yellow

Black

Silver

### Light Reflectance Values of Sirius Tactile Plates

	Platinum Silver	Yellow	Black
Dry Luminance Value of Sirius Tactile	72	53	5
Wet Luminance Value of Sirius Tactile	72	49	5
Acceptable Luminance Value of a Substrate	≤ 50	≤ 35	≤ 3
	≥ 94	≥ 69	≥ 7
Installation Over Concrete*	Recommended		✓
Installation Over Dark Coloured Substrate*	✓	✓	
Installation Over Light Coloured Substrate*			✓



# Retro Fit

## Patented Repair System



Step One

Existing tactiles - worn, missing, dirty, wrong colour, faded and damaged



Step Two

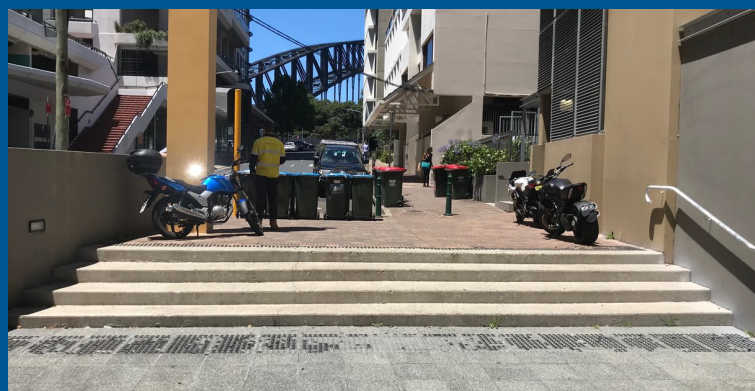
Install base plate



Step Three

Alltac Sirius (Hollow Dome) - cover with custom size plate

### Before Sirius Plates



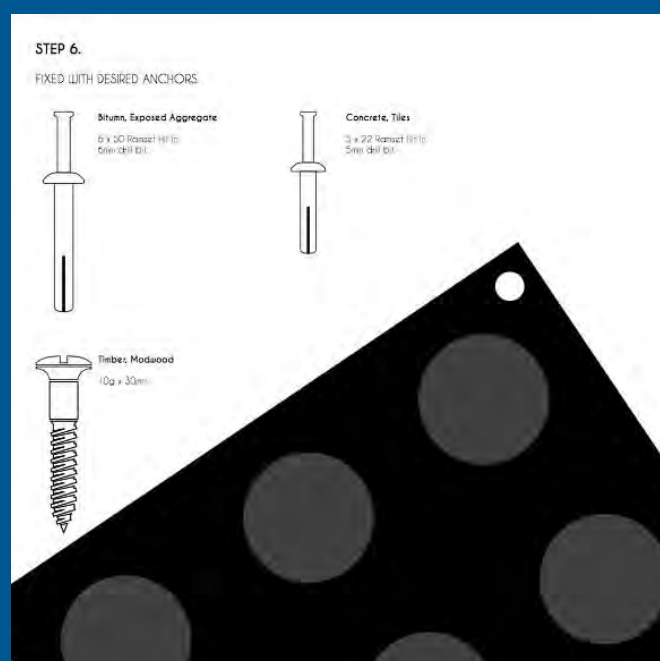
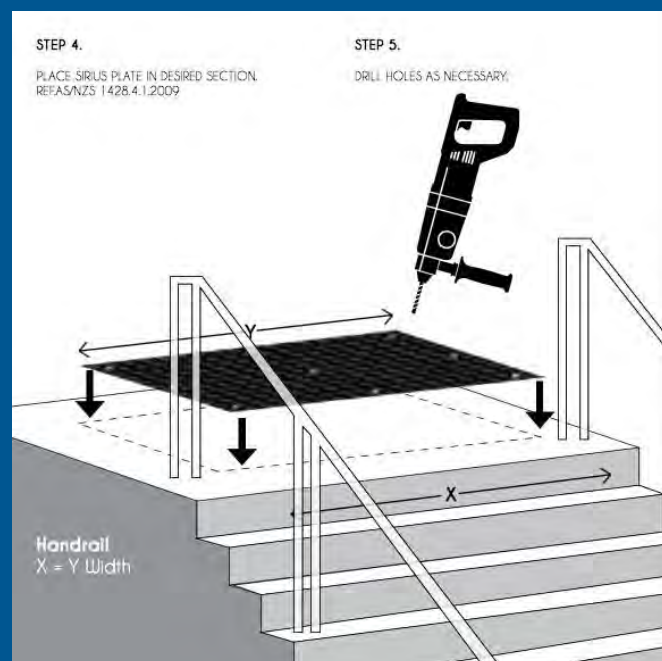
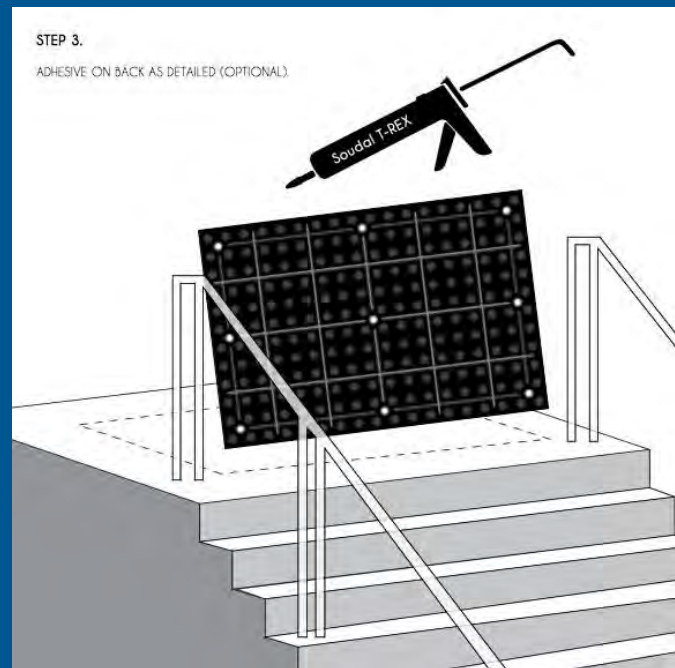
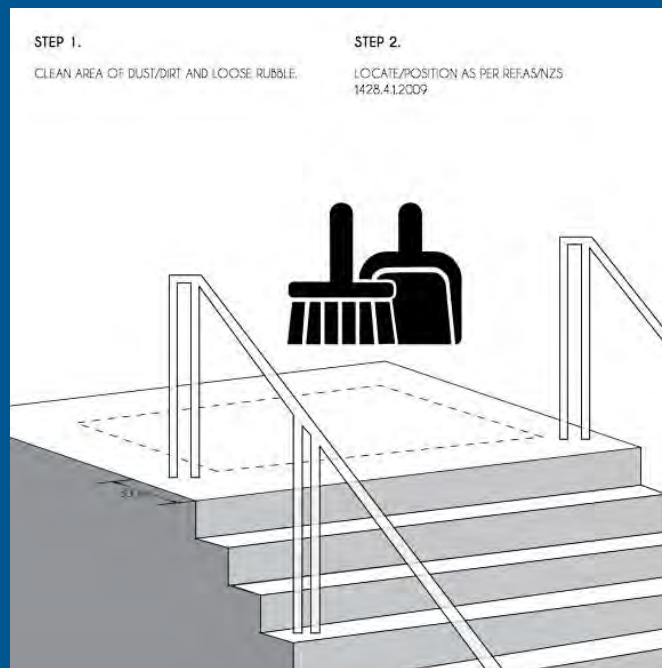
### After Sirius Plates





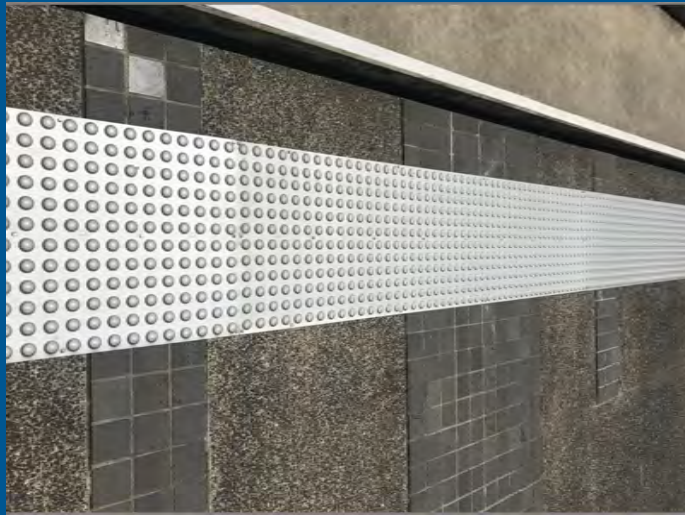
# Installation Guide

## How to install Sirius Plates



# Project Examples

## *Types of Application*



Exposed Aggregate/Pavers



Concrete



Carpet

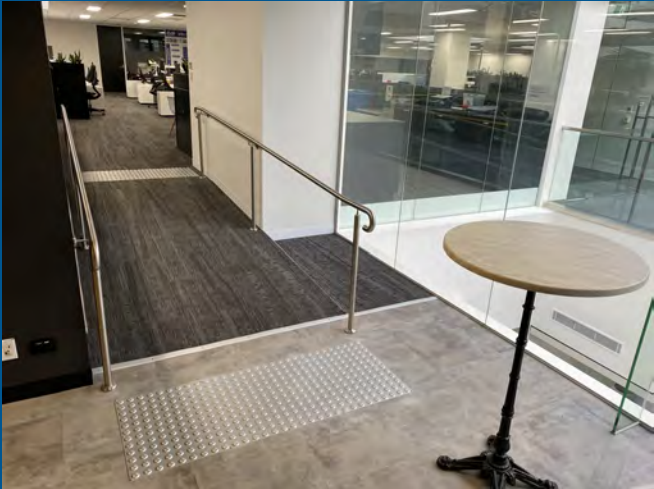


Pedestrian Crossing



Stair Entranceways

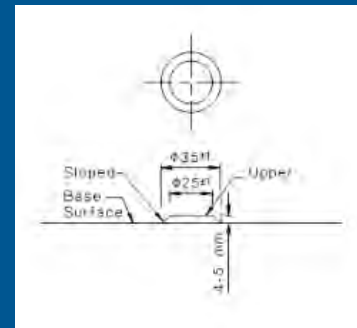
# Other Project Examples



# Compliance

Tactiles are required at all the below:

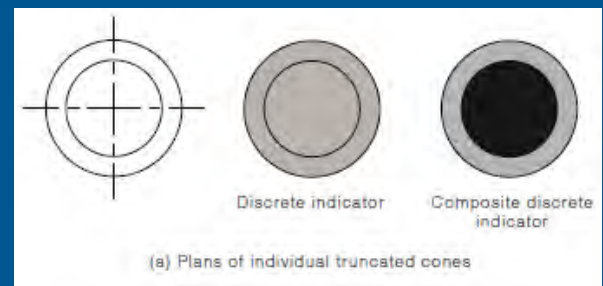
- Stairways
- Ramps (other than a threshold ramp)
- Escalators
- Level and inclined moving walkways
- Overhead hazard
- Carriageways
- Railway Platforms and Crossings
- Passenger Wharves
- Bus stops and tram/light rail stops



## General Tactile Requirements

- a) Detectable by tactile means
- b) Luminance Contrast

- i. Plate – 30% across entire area to the surface below around...
- ii. Discrete TGSIs – LC of no less than 45% (discrete is individual tactile dot same colour on slope as top) to surrounding substrate
- iii. Discrete composite – constructed with two colours or materials, raised section has 60% LC (For a diameter of 25mm + - 1mm) to surrounding substrate



**Warning TGSIs:** a tactile indicator that is used as a warning of a hazard and the need to stop, consider, investigate and wait before proceeding. In addition to above, a warning tactile will;

- A. Be laid in a manner so that there is no likelihood of the edges lifting.
- B. Where placed across the direction of travel, to ensure they are detected they shall be arranged as follows – see figure 2.1 below
- C. All TGSIs are slip resistant
- D. A top surface no more than 4-5mm above the base – see figure 2.1 below also
- E. The base of an integrated TGSIs is no more than 3mm above the abutment/ground surface or surrounding floor
  - exposed external edges shall be chamfered

## TGSIs Placement

Install TGSIs as follows;

- A. The full width of the path of travel
- B. Perpendicular to path of travel when approaching a hazard
- C. Set back 300mm + - 10mm from the edge of a hazard except at railway platforms and wharves

