

# Explosion Venting Building Panel Systems FM Approved



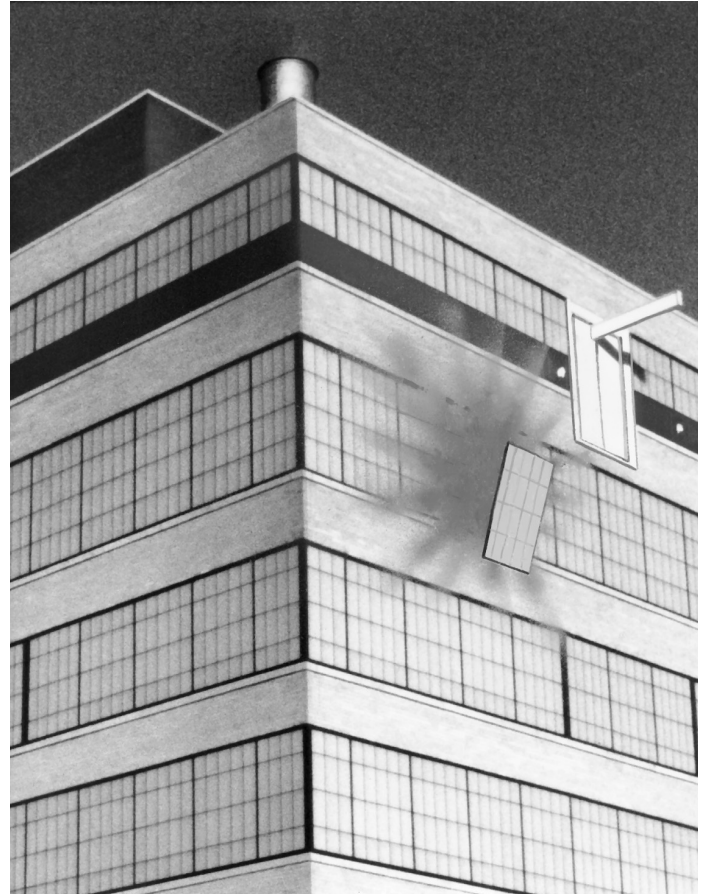
Kalwall Corporation has announced a new FM-approved Explosion Venting Wall Panel System. The system's function is to provide an easy escape route into the atmosphere for explosive forces caused by an accident within a laboratory or manufacturing area. A building can withstand an explosion without collapsing roofs and floors, or other effects to structural integrity, if the forces of the explosion can be released.

Kalwall's Explosion Venting Walls, a.k.a. "blow-out" or "pressure relieving," are designed to release from their mounting system should an explosion occur inside a building. After release, the panels remain attached to the side of the building and do not become dangerous falling debris. In many cases, the panels can then later be reinstalled.

Kalwall's Explosion Venting Panels are fully pressure release tested under Factory Mutual Research Corporation Standard 4440 for Damage-Limiting Construction. The Kalwall panels are not merely a component, but are fully approved as an integrated system.

## BACKGROUND

A major consideration for utilizing Kalwall's Explosion Venting Panels is the other inherent properties of Kalwall. The product has long been renowned for its excellent light transmitting, light diffusing, highly insulating and lightweight properties. Kalwall is shatterproof, flame resistant... and provides a "clean-room" environment.



Kalwall panels, 2 3/4" (70mm) thick, are factory-constructed fiberglass laminate permanently bonded to interlocking thermally broken I-beam grids. Panels are available up to 5' (1.5m) wide by 20' (6m) long. Kalwall was the originator of translucent building panels and, for over 50 years, has continued to produce innovative building materials and products.

## FOR FURTHER INFORMATION

For information on Kalwall's Explosion Venting Systems, including special designs for walls and skylights, call or write:  
Kalwall Corporation, PO Box 237, Manchester, NH 03105  
Phone: 1-800-258-9777 (N. America) • 603-627-3861 (Int'l.)  
[www.kalwall.com](http://www.kalwall.com)

Since 1955  
**Kalwall**<sup>®</sup>  
CORPORATION

*Ask about...*

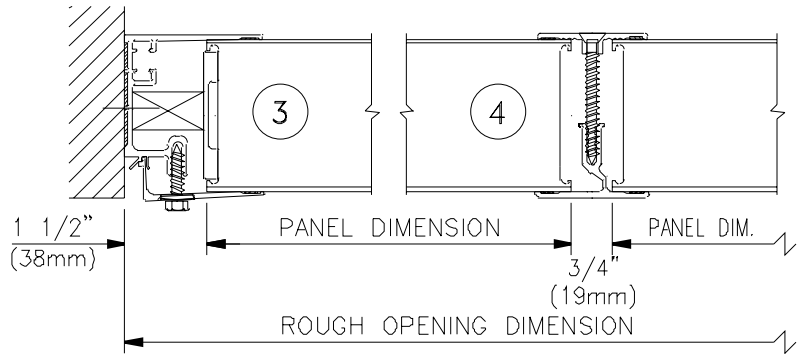
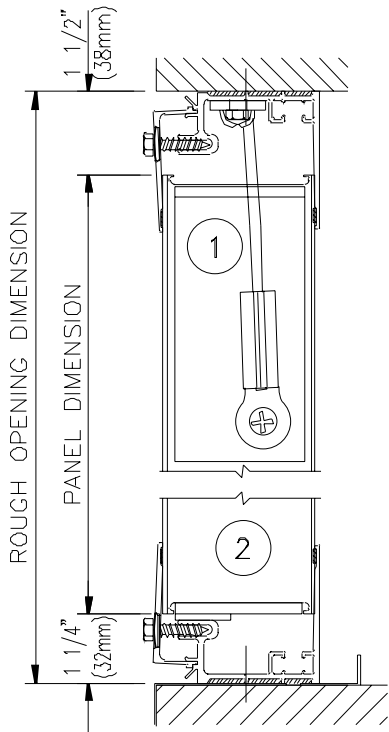
**DoD and GSA  
Anti-Terrorism Compliance**

**UFC 4-010-01 Blast-resistant Construction**

Standard Kalwall helps protect building occupants by eliminating line-of-sight vulnerability from outside a building. Shatterproof - free of flying debris.

KALWALL<sup>®</sup> TRANSLUCENT PANEL SYSTEMS • SKYLIGHTS • PANEL UNIT WALLS • SOLAR WINDOWS

Each explosion venting project is unique. The following details are generic.  
Please contact Kalwall directly for assistance in designing to meet FM requirements.



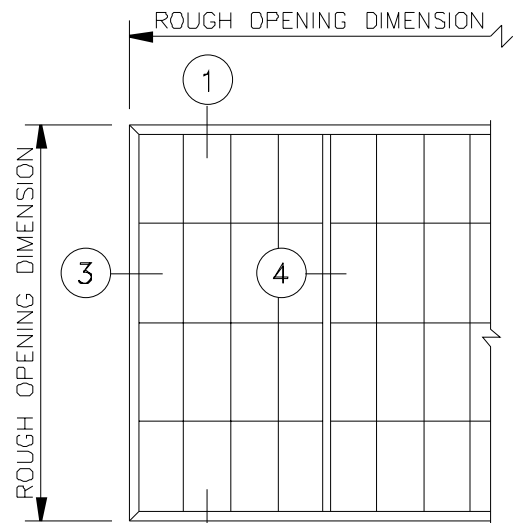
**STANDARD SYSTEM  
ALUM I PANELS**

NOTE:  
IF KALWALL EV SYSTEM  
IS TO BE SET BACK  
FROM OUTSIDE FACE OF  
ROUGH OPENING, A  
MINIMUM 3/4" STANDOFF  
IS REQUIRED.

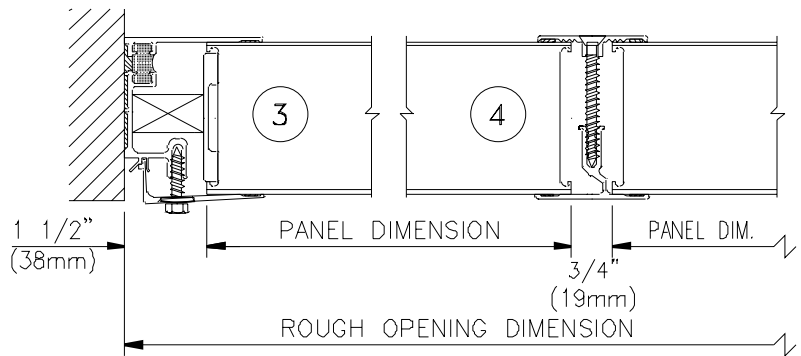
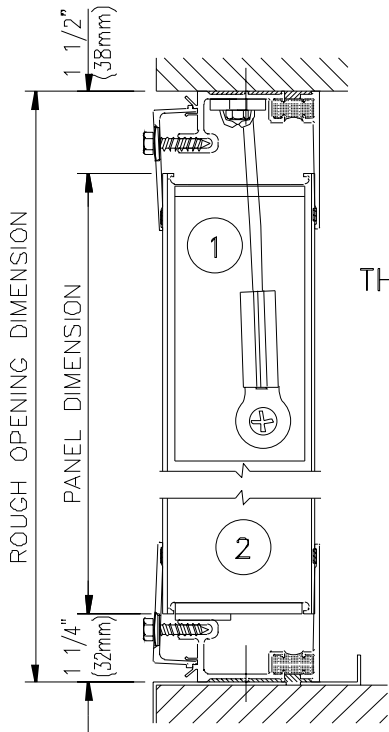
NOTE:  
MINIMUM EV RELEASE  
PRESSURE MUST BE  
DESIGN WIND LOAD  
PLUS 10 ± 10 PSF (480Pa)

NOTE:  
MINIMUM PANEL AREA  
24 Sq Ft (2.2 Sq Meters)

**THERMALLY BROKEN SYSTEM  
TB-I PANELS**



**ELEVATION**



**EXPLOSION VENTING SYSTEM FOR 2 3/4" (70mm) PANELS**

Since 1955  
**Kalwall**  
CORPORATION

AVAILABLE AS AN OPTION

