



Expertise from the floor up

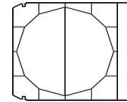
275mm ORDER FORM

Once you complete this form, please return by email (Customer.Services@jacobsens.co.nz) or fax (09 574 5330)

ORDER DATE:		QUOTE NUMBER (IF ANY)	
CUSTOMER O/N OR REF:			
CUSTOMER'S NAME: (See clause 1 below)			ABN:
CUSTOMER'S ADDRESS:			STATE:
SITE ADDRESS:			STATE:
DELIVERY ADDRESS: (If different to site address)			STATE:
SITE CONTACT NAME:		EMAIL:	
SITE PHONE NO:		FAX NO:	
ACCOUNTS CONTACT NAME:		EMAIL:	
ACCOUNTS PHONE NO:		FAX NO:	
DELIVERY METHOD:	DELIVERY TO SITE <input type="checkbox"/>		LOCAL PICKUP <input type="checkbox"/>

MAIN PROFILE - 275P-1

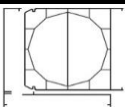




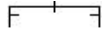
(275mm x 275mm)



275P-1 profiles are produced at stock heights of ex-Sydney 3000mm & 3600mm & custom heights between 1800mm & 6525mm. **275mm profiles are only available in 75mm increments.** Custom heights have a minimum order quantity of 6 panels. Please contact the customer service team on 09 570 8209 to confirm stock availability and current lead times.

	HEIGHT (mm)	QTY		HEIGHT (mm)	QTY
SYDNEY STOCK 1	3000		CUSTOM 3		
SYDNEY STOCK 2	3600		CUSTOM 4		
CUSTOM 1			CUSTOM 5		
CUSTOM 2			CUSTOM 6		

ACCESSORIES

MODULE	(mm)	QTY
275P-3 	3600	
275P-4 	3600	
275P-EC 	3600	
275P-J 	3600	
275P-WS 	3600	
275P-TC* 	3600	

NOTE: Two notches on the above accessory diagrams indicate the panel has pre-drilled holes

*Can be snapped in half to create 2 angles

Authorised Signatory:

.....
Full Name in Block Letters

.....
Signature

.....
Requested Delivery/Pickup Date

(To be confirmed by JCS)

Telephone: (09) 570 8209

41 Morrin Road, Mt Wellington, Auckland 1072

Email: Customer.Services@jacobsens.co.nz

Fax: (09) 574 5330

PO Box 28042 Remuera, Auckland 1541

ORDER RECEIVED (OFFICE USE ONLY) :

ORDER FORM REV. 24/01/2020